

Service Document

Sonoclock 660 PLL

Service ManualSicherheit
SafetyMaterialnr./Part No.
720108000001

Es gelten die Vorschriften und Sicherheitshinweise gemäß dem Service Manual „Sicherheit“, Materialnummer 720108000001, sowie zusätzlich die eventuell abweichenden, landesspezifischen Vorschriften!



The regulations and safety instructions shall be valid as provided by the „Safety“ Service Manual, part number 720108000001, as well as the respective national deviations.

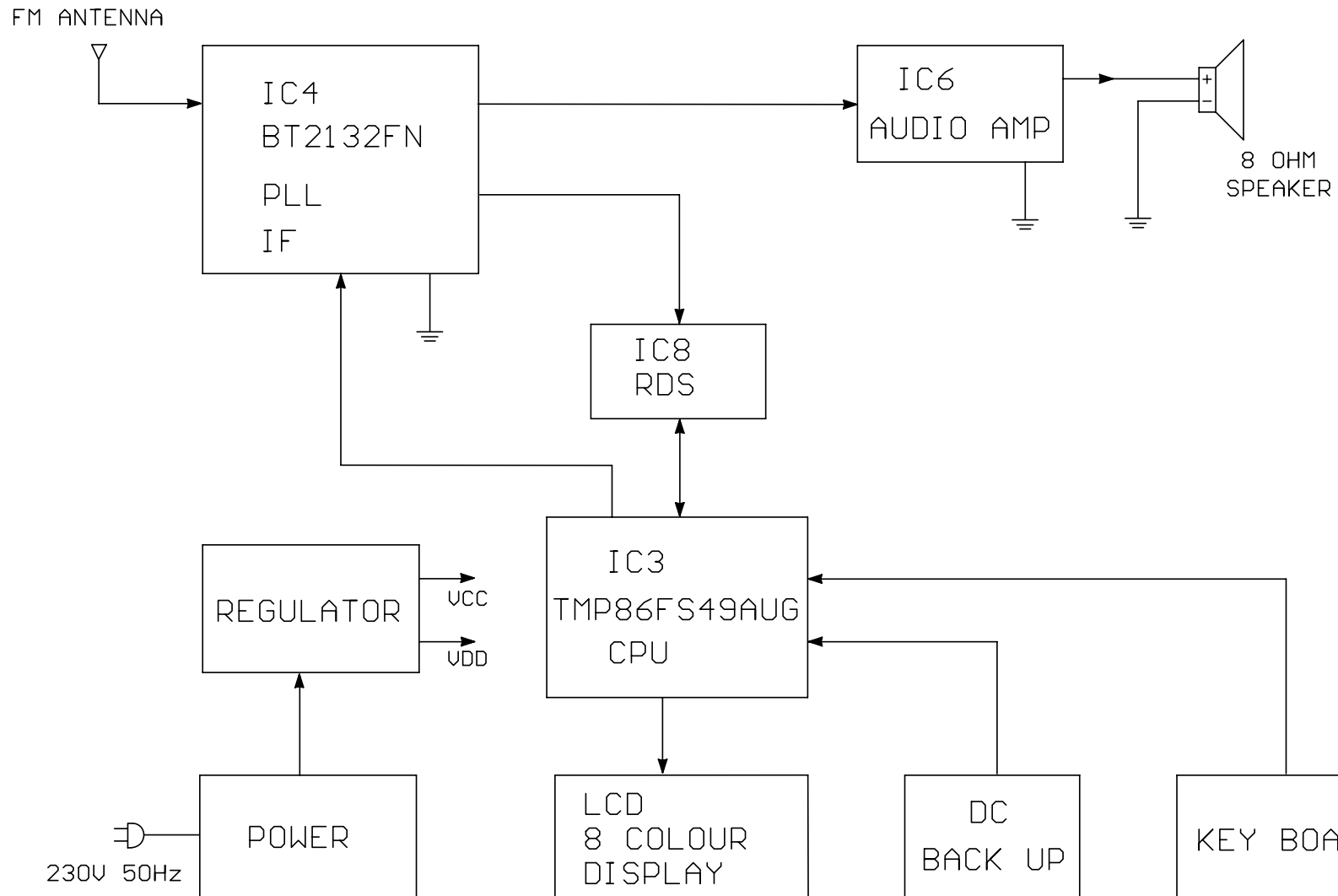
Dieses Service Dokument ist nur in Datenform verfügbar

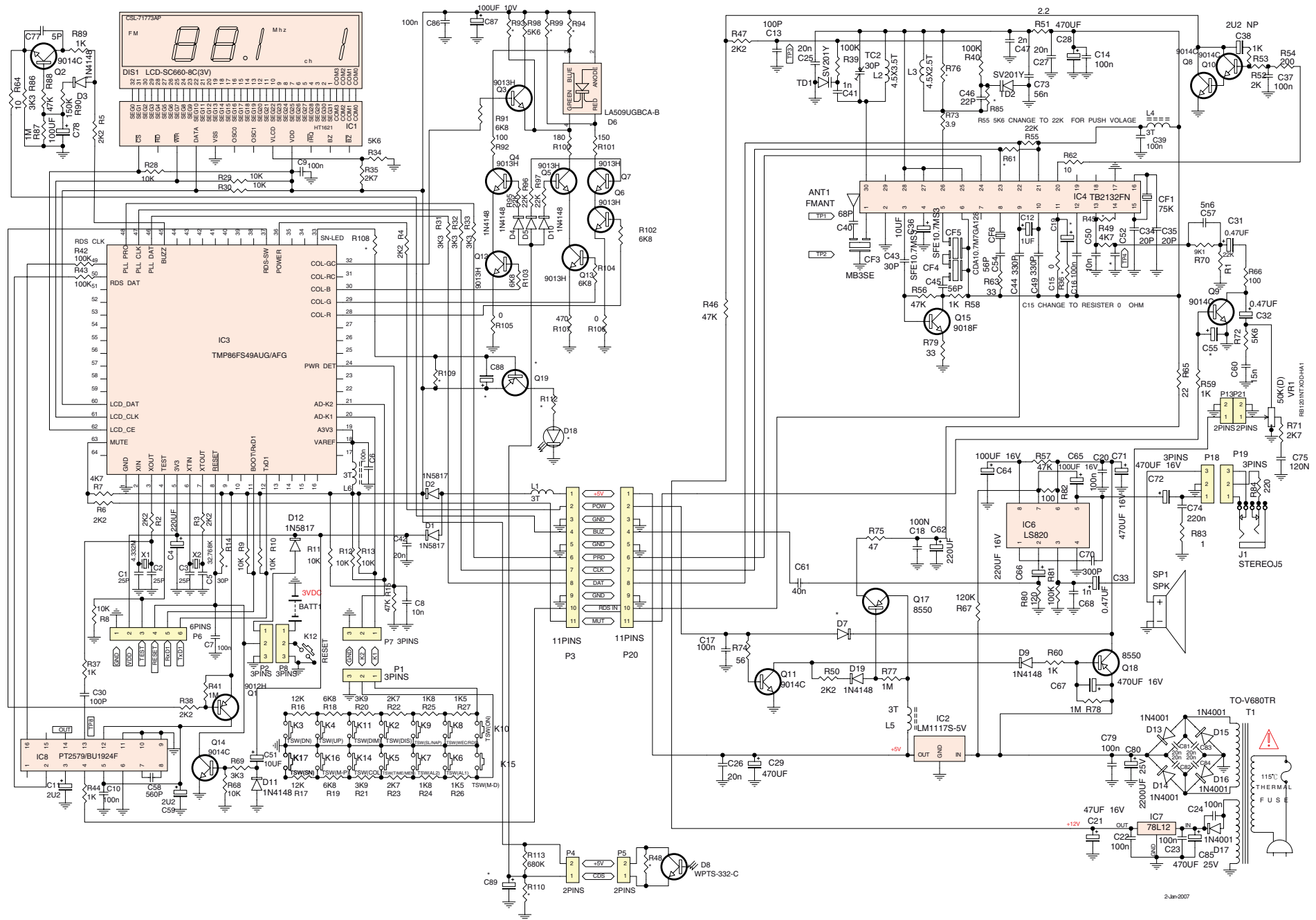
This Service Document is only available as data

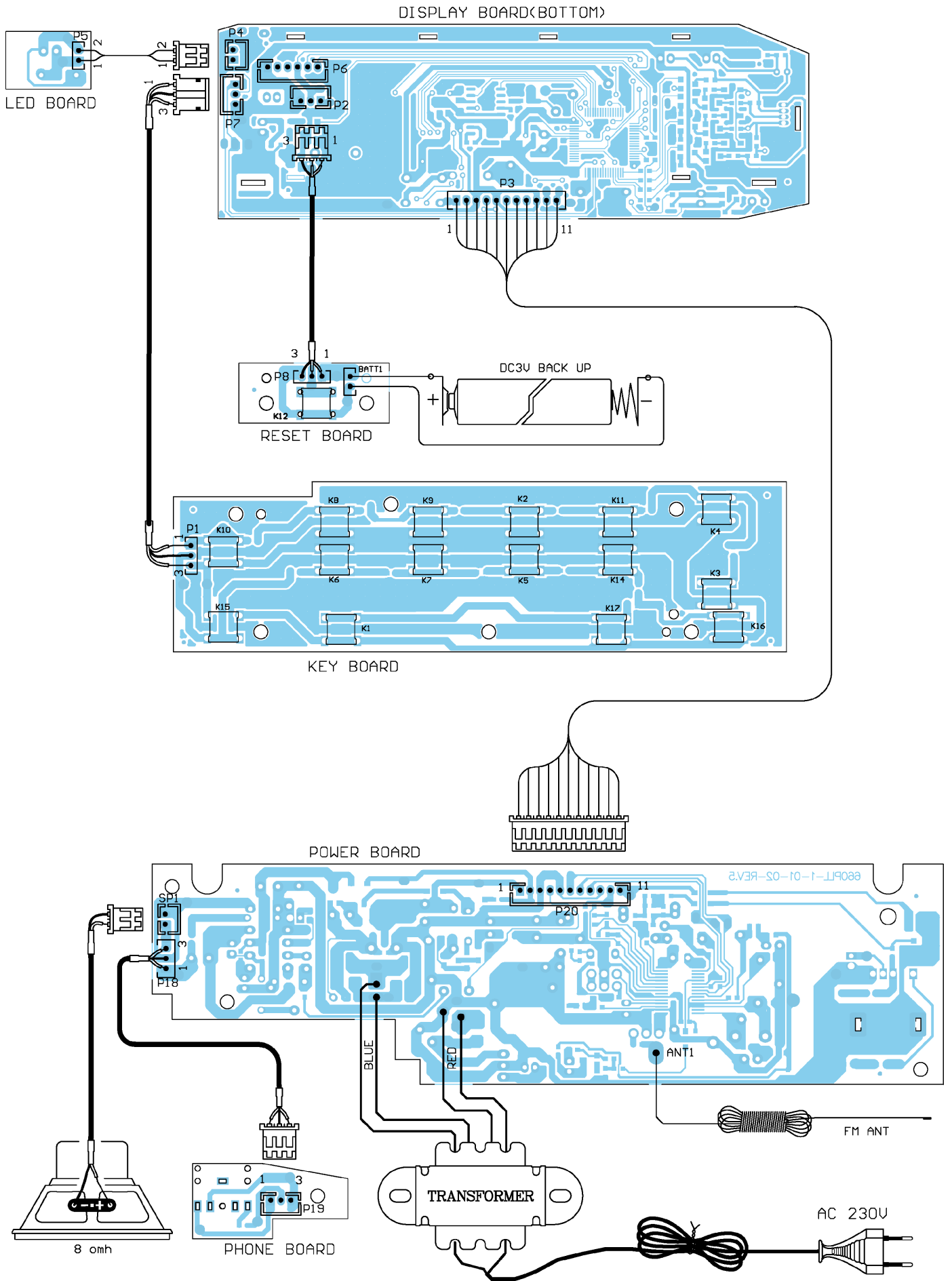
Änderungen vorbehalten/Subject to alteration

Made by GRUNDIG in Germany • TCC 0107 HH

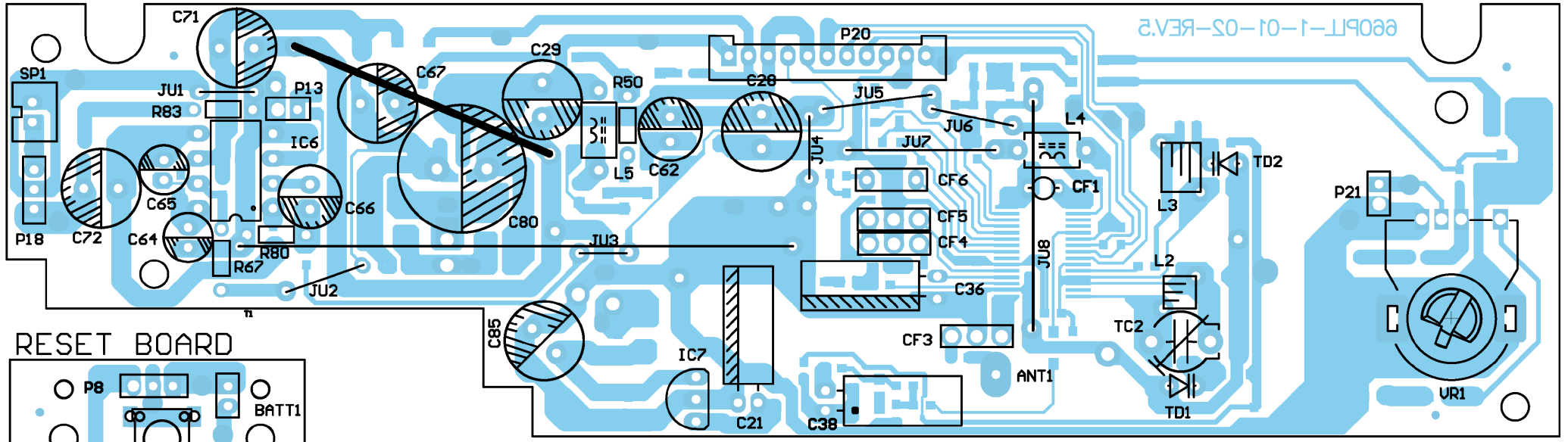
<http://www.grundig.com>



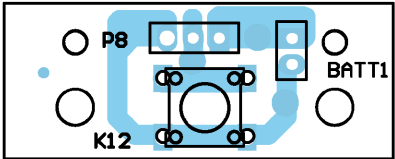




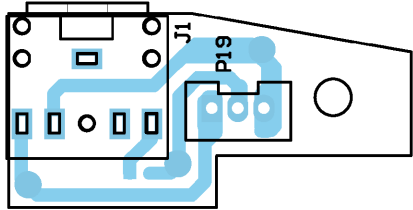
POWER BOARD



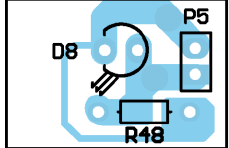
RESET BOARD



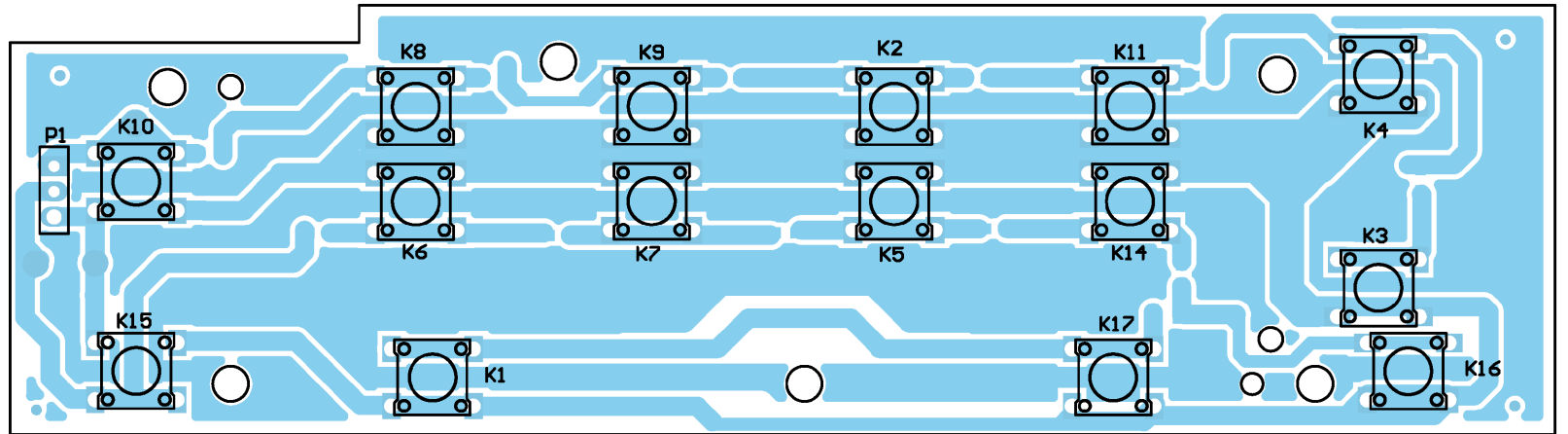
PHONE BOARD



LED BOARD

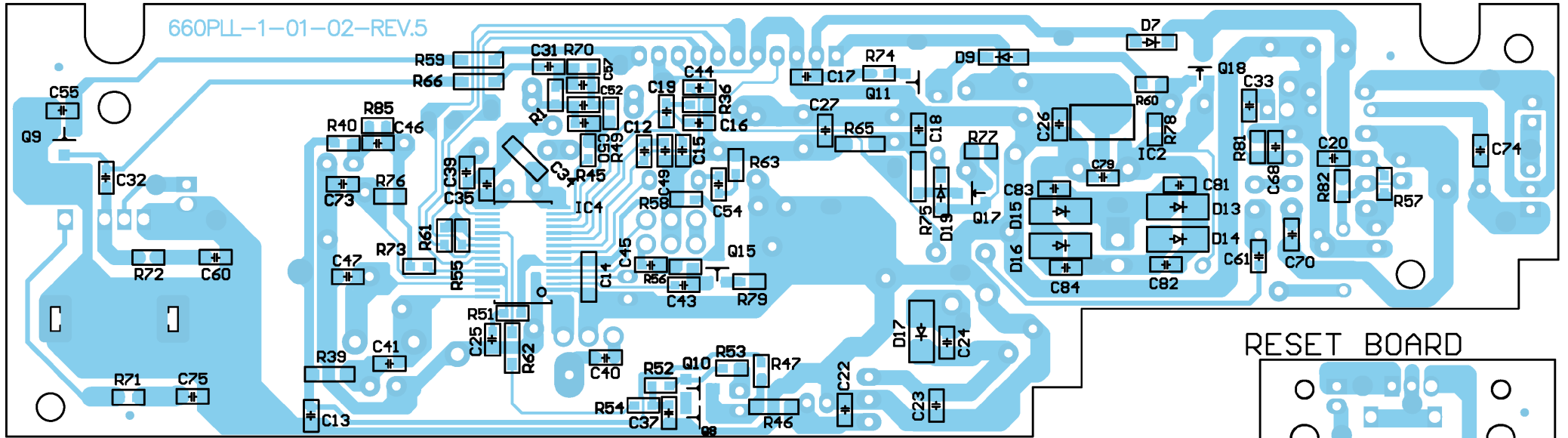


KEY BOARD

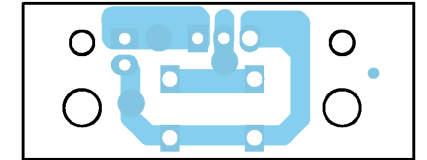


POWER BOARD

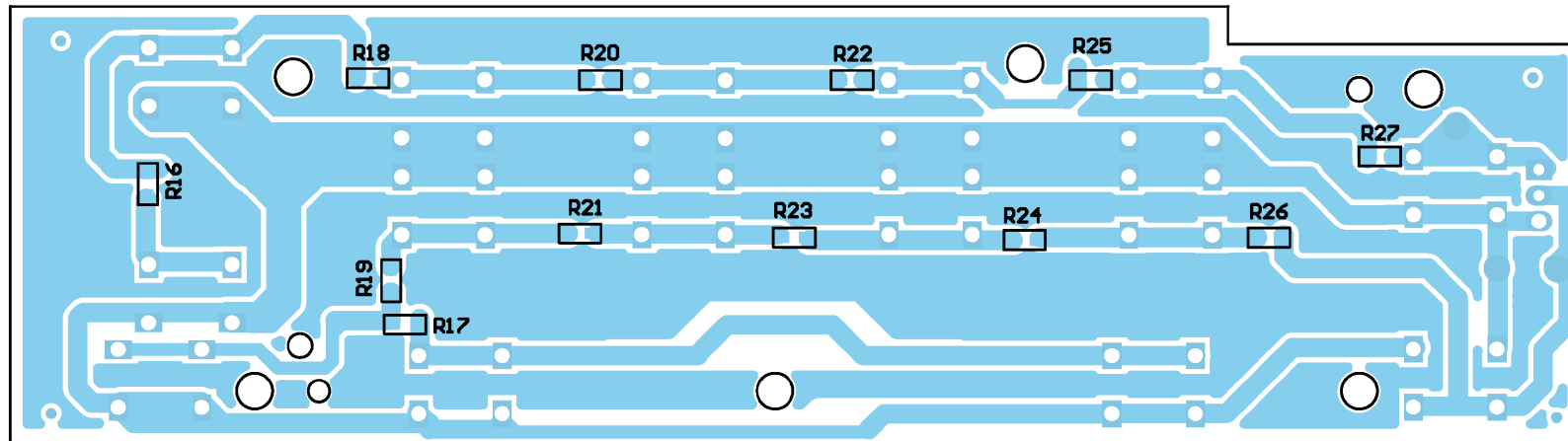
660PLL-1-01-02-REV.5



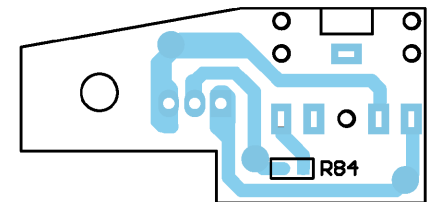
RESET BOARD



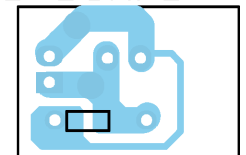
KEY BOARD

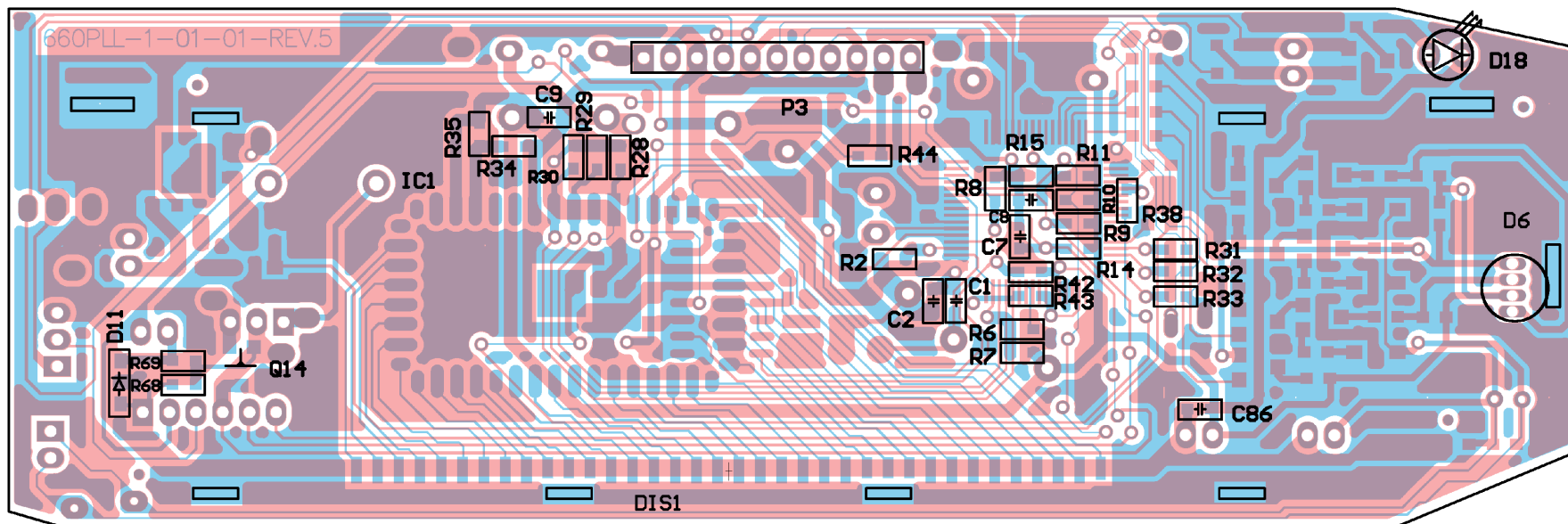
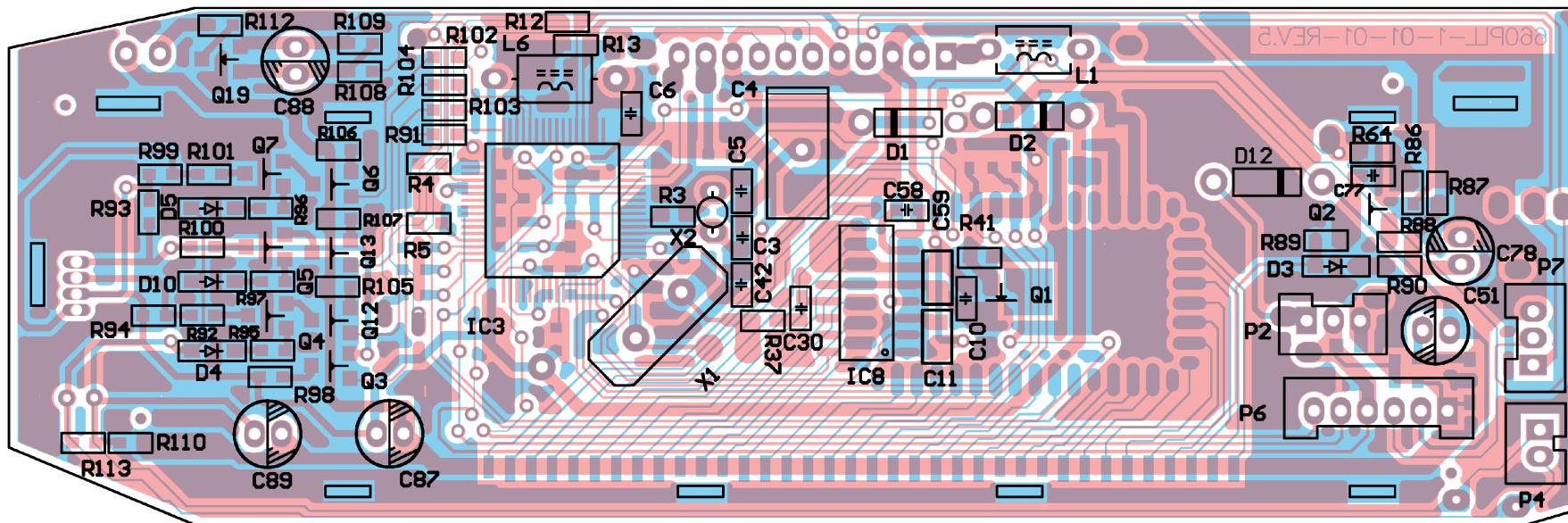


PHONE BOARD



LED BOARD





Alignment Information

Model : GRUNDIG SC660PLL

Ref. No. : SC660PLL

Date : 2-Jan-07

A) FM Radio section

1) RF VOLTAGE

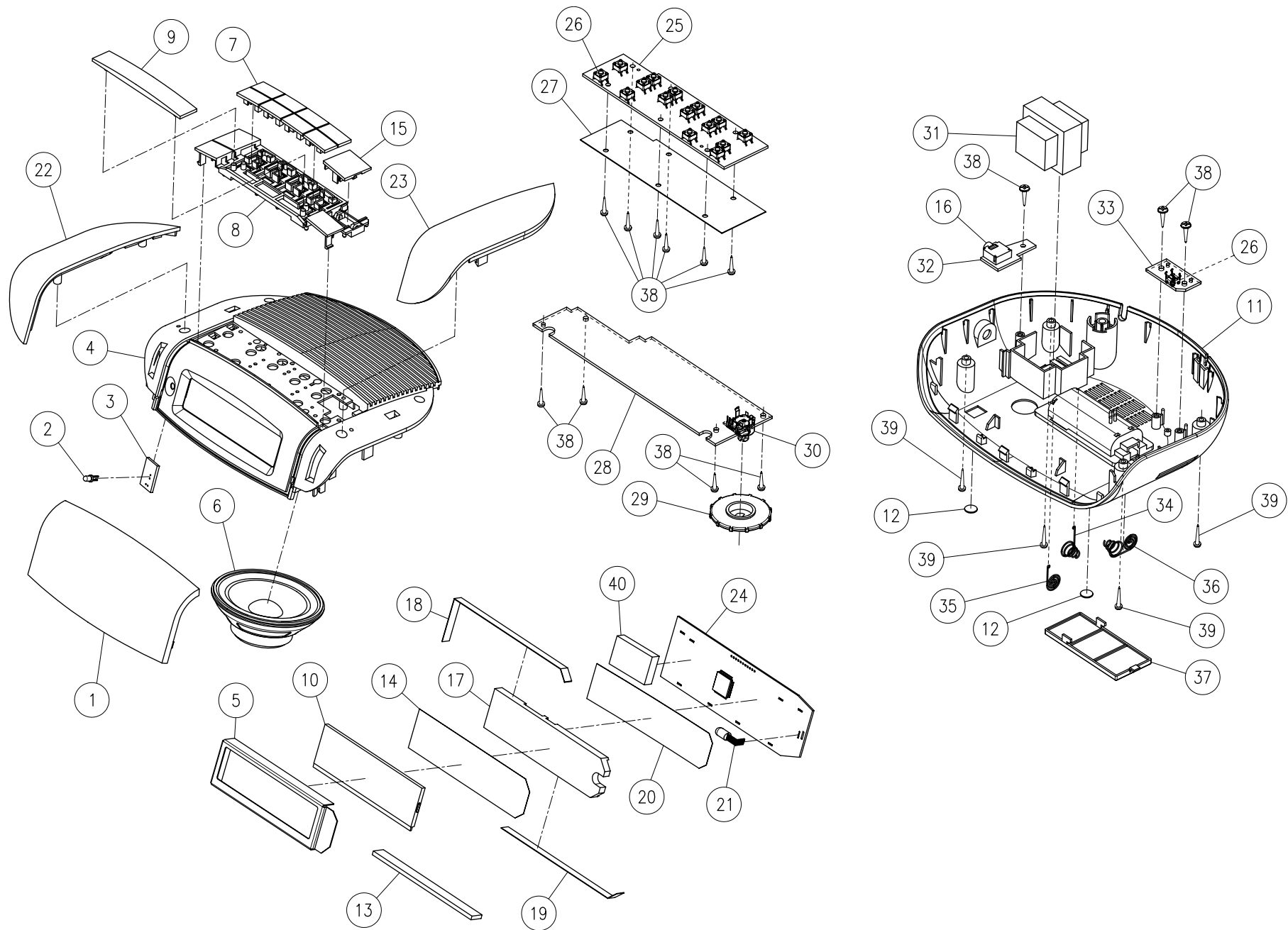
BAND	SIGNAL	OUTPUT	SET RADIO	ADJUST	ADJUST FOR	REMARK
FM	--	TP3,2	87.5MHz	L3	1.8 ~ 2.3V	high end 7.5 ~8V

3) FM RF

INPUT	SIGNAL	OUTPUT	SET RADIO	ADJUST	ADJUST FOR	REMARK
TP1,2	90MHz	Speaker	90MHz	L2	Max. o/p	Vol. at max. position
TP1,2	106MHz	" "	106MHz	TC2	" "	" "

Note :

1. Use a digital meter to measure each required voltage on above items
2. Use weak signal in RF alignment
3. Radio & LCD board must be connected before alignment
4. Use the frequency counter to measure each required frequency on above items.





Ersatzteilliste Spare Parts List

AUDIO

1 / 2007

SONOCLOCK 660PLL

BESTELL-NR. / ORDER NO.: GKR1600 SILVER/TITAN

POS. NR. POS. NO.	ABB. FIG.	MATERIAL-NR. PART NUMBER	ANZ. QTY.	BEZEICHNUNG 	DESCRIPTION 
		GKR1600		SONOCLOCK 660 PLL SILVER/TITAN KEIN E-TEIL	SONOCLOCK 660 PLL SILVER/TITAN NO SPARE PART
0012.000		759540373000		BATTERIEDECKEL	BATTERY DOOR
0100.000		720114076000		BEDIENUNGSANLEITUNG D,GB,F,I,P,E,NL,PL,DK,S,FIN,TR HINWEIS! IM DEFEKTFALL NEHMEN SIE KONTAKT MIT UNSERER HOTLINE AUF	INSTRUCTION MANUAL D,GB,F,I,P,E,NL,PL,DK,S,FIN,TR NOTE! IN THE EVENT OF A DEFECTIVE PLEASE CONTACT YOUR SERVICE

Es gelten die Vorschriften und Sicherheitshinweise gemäß dem Service Manual "Sicherheit", Mat.-Nummer 720108000001, sowie zusätzlich die eventuell abweichenden, landesspezifischen Vorschriften!



The regulations and safety instructions shall be valid as provided by the "Safety" Service Manual, part number 720108000001, as well as the respective national deviations.

ÄNDERUNGEN VORBEHALTEN / SUBJECT TO ALTERATION